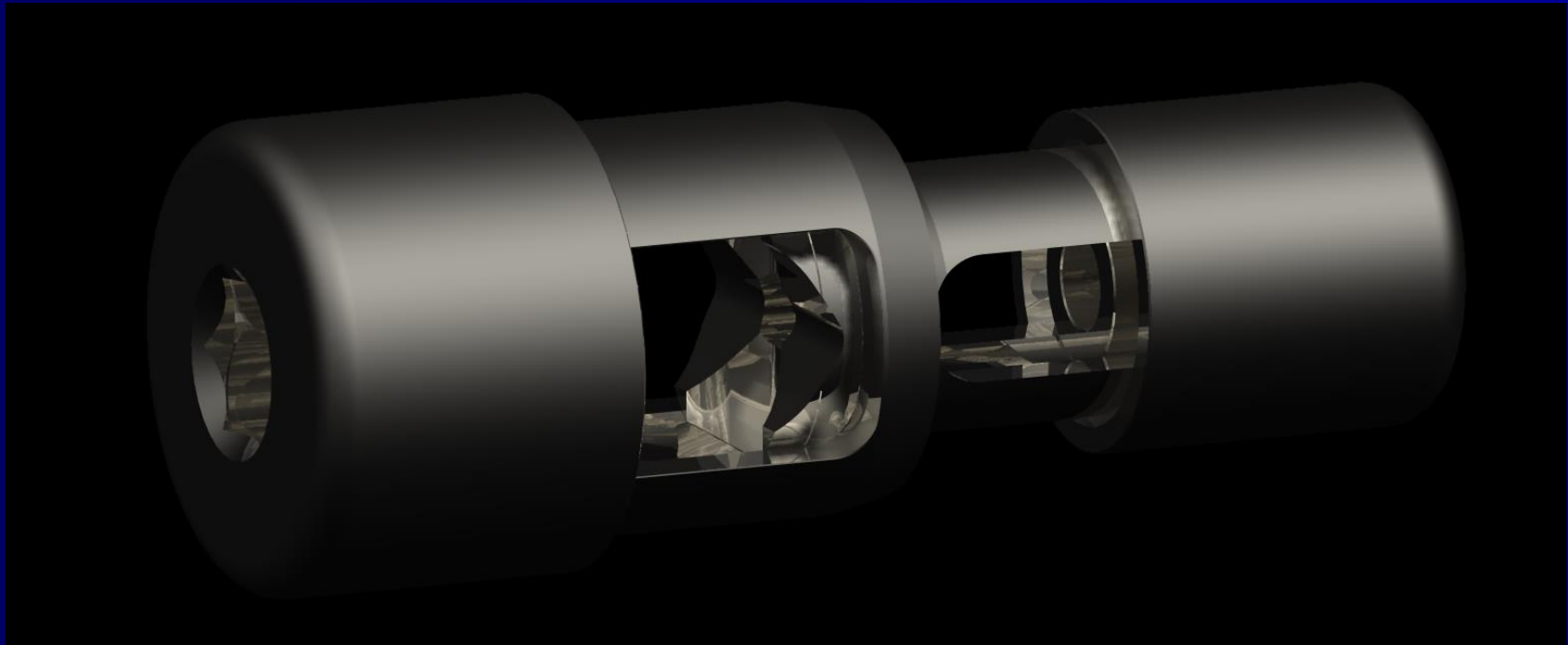


Fix Ex IV LC

Prof. Dr. med. O. E. Illi

SIEGRIST Engineering

How Little Things Can Make a Big Difference



Fix Ex IV LC pat. pend.

To bring about great progress in developing countries

Our ascertainment

In developing countries, there is a lack of medical instruments, material, devices, or availability thereof, as well as no sufficient know-how to achieve satisfactory results for the treatment of fracture or correction osteotomies after incorrect fracture treatment.

With our new product we can improve people's life quality.

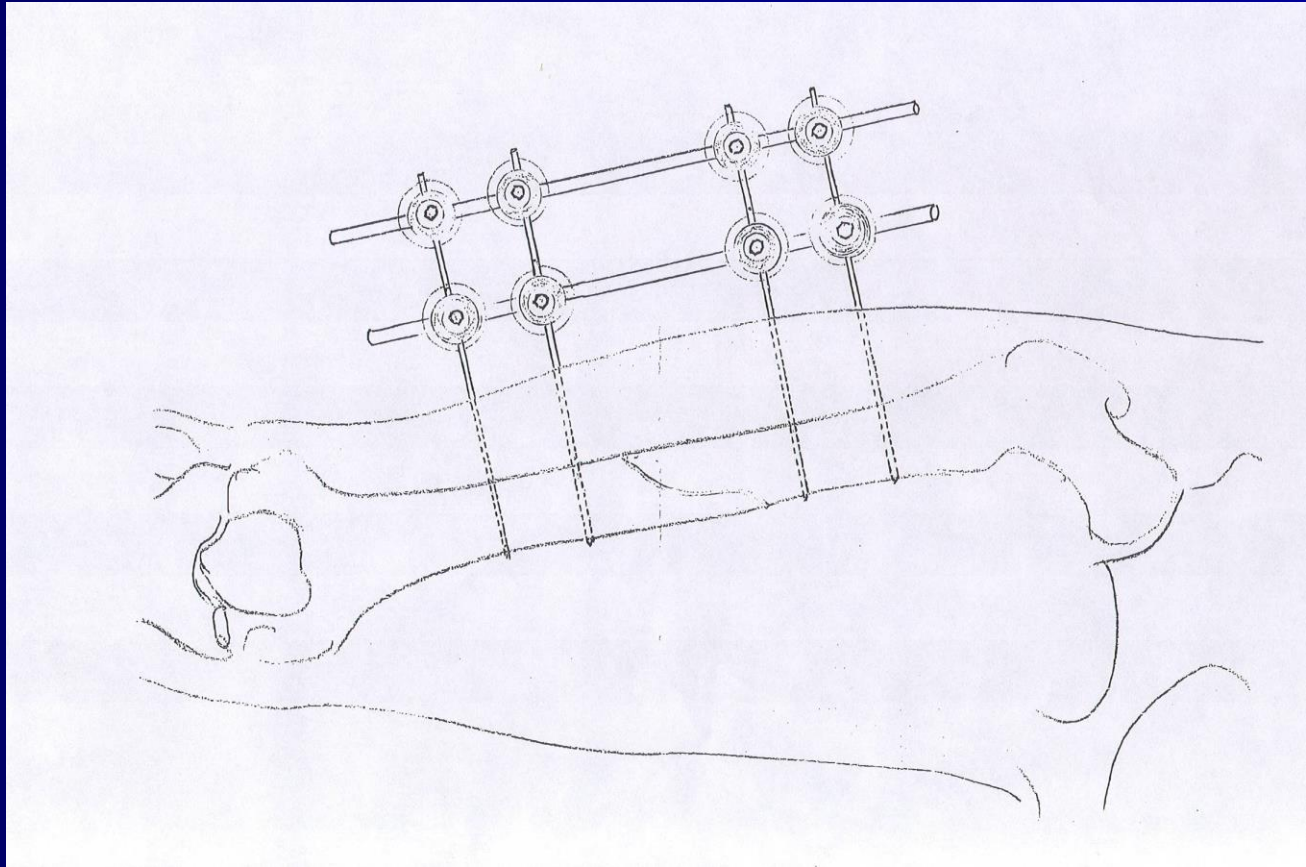
Convenient mechanical handling

- Out of three make one
- To date an external fixation necessitates up to three different clamps
- With the new Fix Ex IV LC this can be realized by one clamp
- This clamp makes it possible to subsequently attach clamps, pins or stabs

Instead of amputation, the bone is stabilized

- It is our belief that these people should be given a chance to avoid an amputation.
- Would you like an amputation, even if there were possibilities of fracture healing by means of the Fixateur Extern?

Instead of amputation, the bone is stabilized



Support

- These people need our assistance
- Our support / guidance
- Our material
- Our time, to invent and produce tools for them at reasonable costs

Material properties

- This Fixateur Extern weighs just 35,86 g
- Consisting of aluminium used in aircraft
- Advantages of the material:
 - high strength and ductility
 - great rigidity
 - notch impact strength
 - little weight
 - stainless (corrosion resistant)
 - temperature resistant
 - closed porous material
 - sterilizable, nontoxic
 - non-magnetic
 - cold weld effect

Identical material

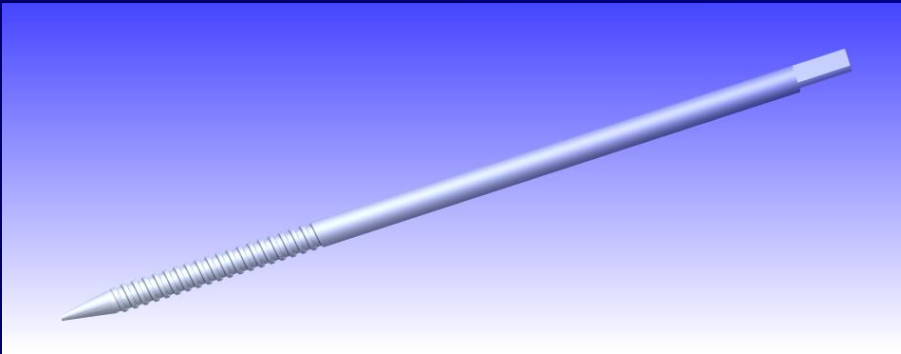
- Use of identical material for:
- Aeronautical engineering
- Aerospace engineering
- Tool construction (Moulding)
- Engineering industry
- Vehicle manufacturing
- Medical technology

Reasonable price

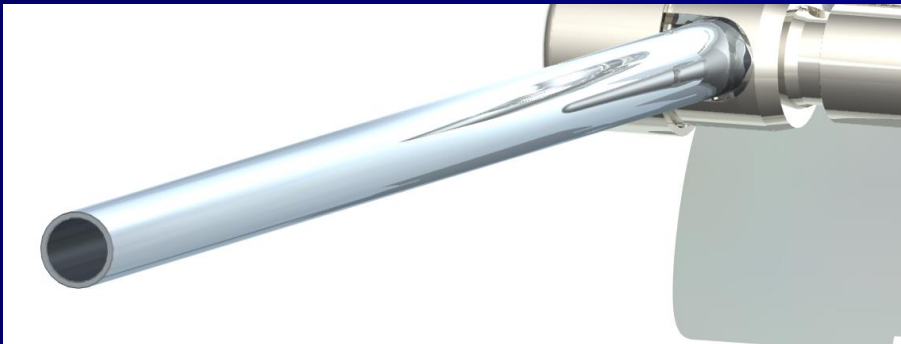
- The Fixateur is available at a reasonable price
- It only costs CHF 50.-
- Usable several times
- No problem with sterilization; steam sterilization (as for surgical instruments)
- Each part of the clamp is exchangeable (if necessary)

Technical data

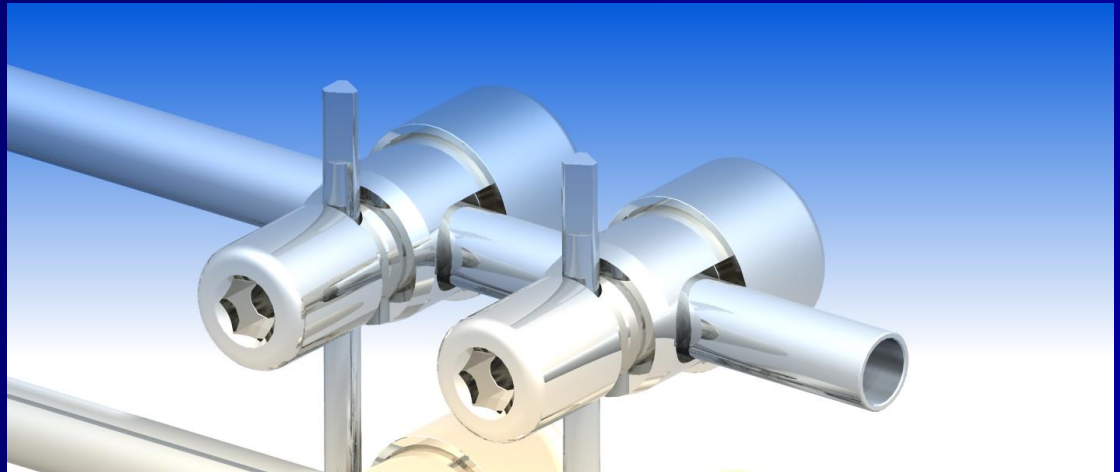
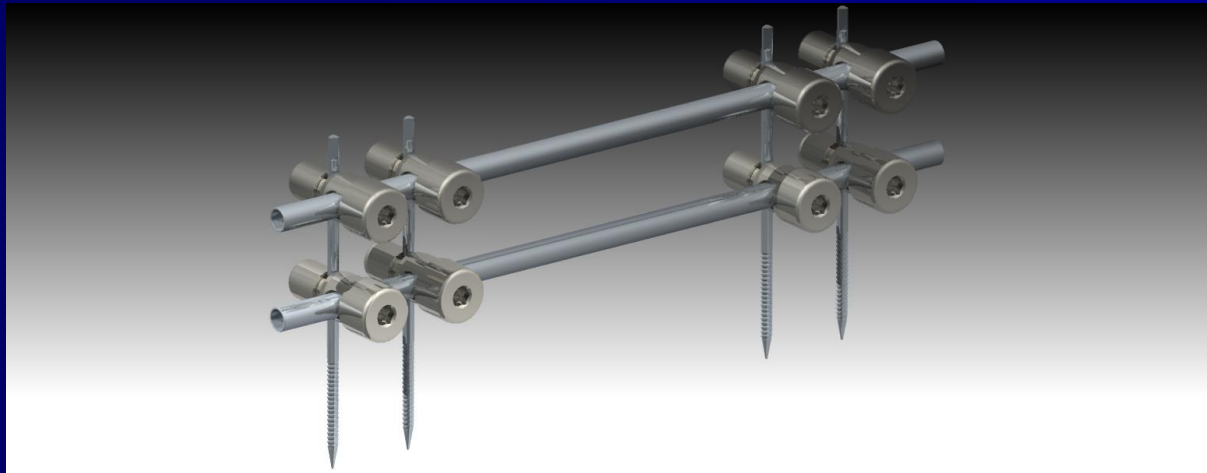
- Screw component (Schanz'sche screw)
- \varnothing 3,5 - 6,7 mm.



- Longitudinal tube \varnothing 3,5 - 12 mm.



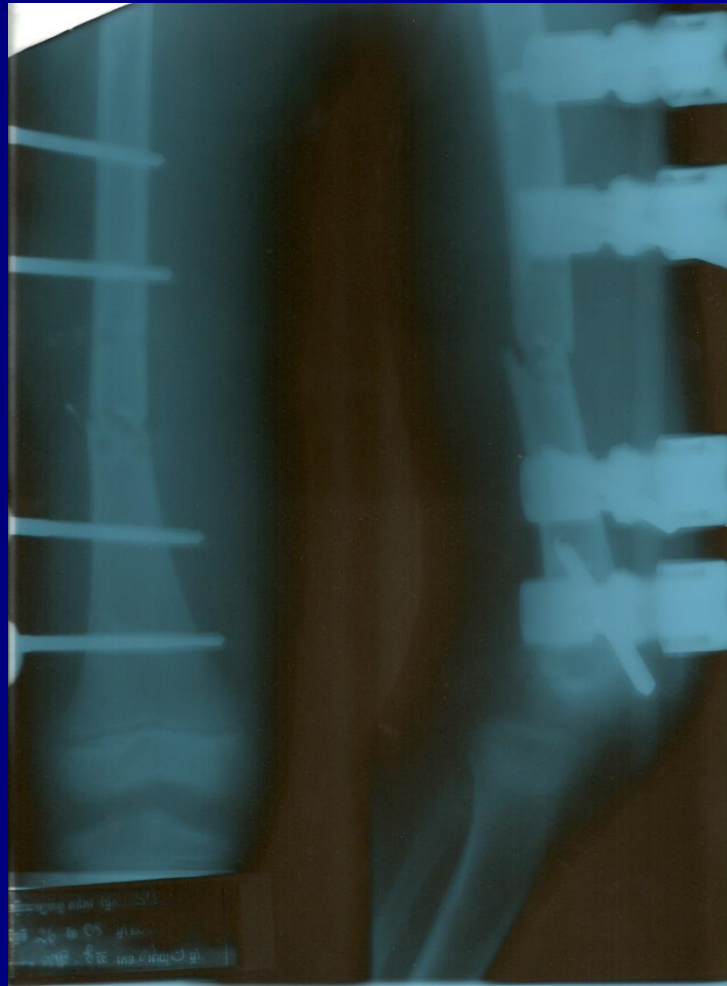
Fitting example



Examples

- A few additional examples which prove that the Fixateur Extern devices have already been successfully implemented at a field test in Cambodia.

Examples



Examples

Shortly before the removal of the previous fix Ex LC after 6 weeks
(good callus formation)



Examples

For comparison, also repositioned in six weeks by Mark Wires





Would you like to know more about it?

- Did we draw your interest on the Fix Ex IV LC, and would you like to learn more about it? Please do not hesitate to let us know. We will be pleased to discuss any further procedures.
- It is with your help that allows for many people to live an enhanced quality of life.

Would you like to know more about it?

Prof. Dr. med. O. E. Illi
FMH Kinderchirurgie
Worbstrasse 312
Ärztehaus der Klinik Siloah
3073 Muri-Gümmligen
0041 31 952 50 27
praxis@illi-kinderchirurgie.ch



SIEGRIST Engineering
Emmenau 8
CH-3415 Hasle-Rüegsau
0041 34 461 71 40
siegrist-cnc@swissonline.ch



Thank you

